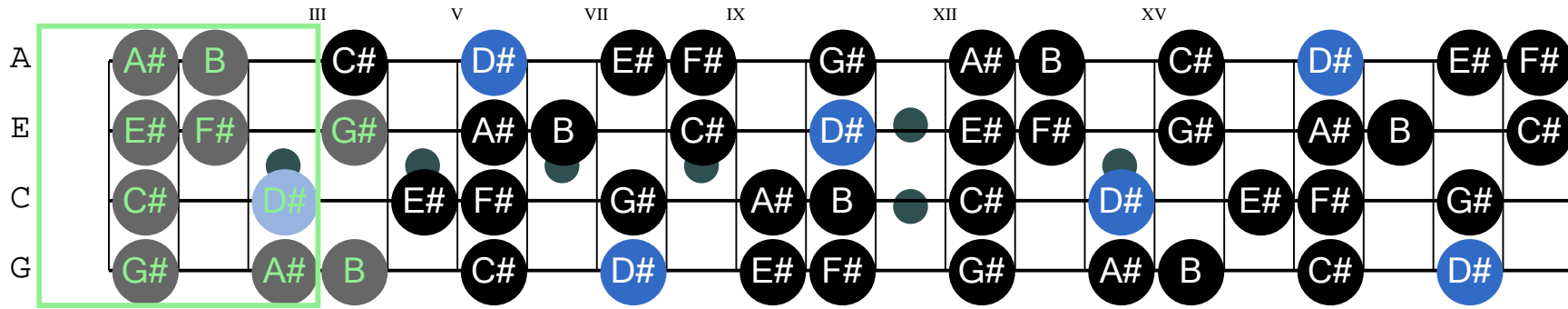


D# natural minor (Ukulele (soprano) Tuning)



Musical notation for D# natural minor. It shows four staves: three for the strings (A, E, C, G) and one for a treble clef staff. The string staves have fret numbers and fingerings. The treble staff shows a scale of notes: D# (quarter), E (quarter), F# (quarter), G# (quarter), A (half), B (quarter), C# (quarter), D# (quarter).

Note: Octave may be adjusted to better fit staff.