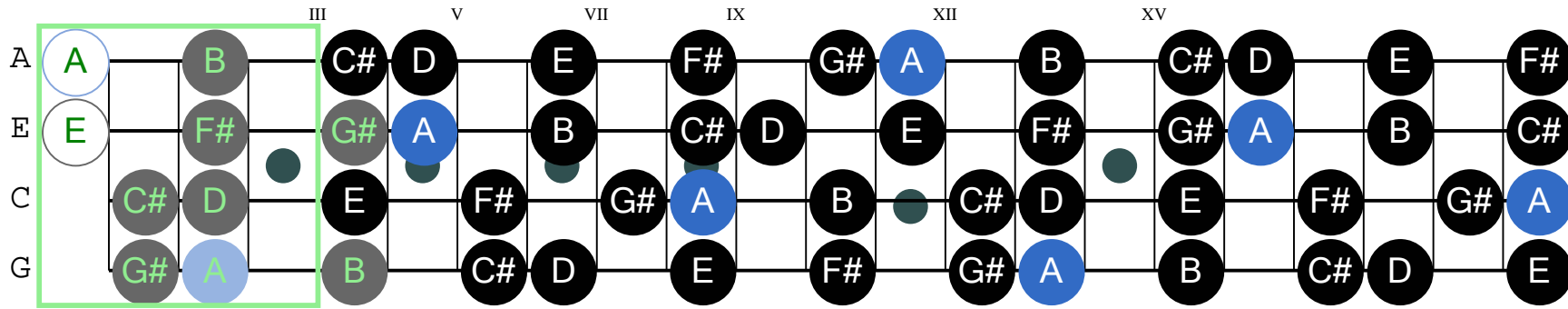


A major (Ukulele (soprano) Tuning)



Musical notation for the A major chord. The top three staves are labeled A, E, C, G from top to bottom. The bottom staff is a standard musical staff with a treble clef and a key signature of one sharp (F#). The notation shows the notes of the A major chord: A (open), E (open), C# (first fret), and G# (second fret). The notes are written as quarter notes on the bottom staff. The fret numbers are indicated by blue numbers above the strings: 0 for the open strings, 1 for the first fret, 2 for the second fret, and 4 for the fourth fret.

Note: Octave may be adjusted to better fit staff.